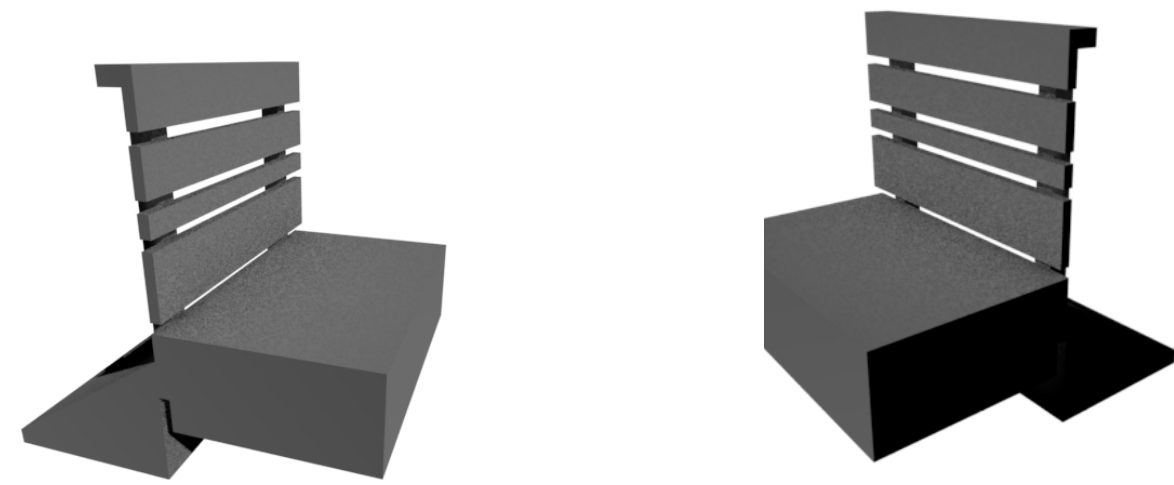
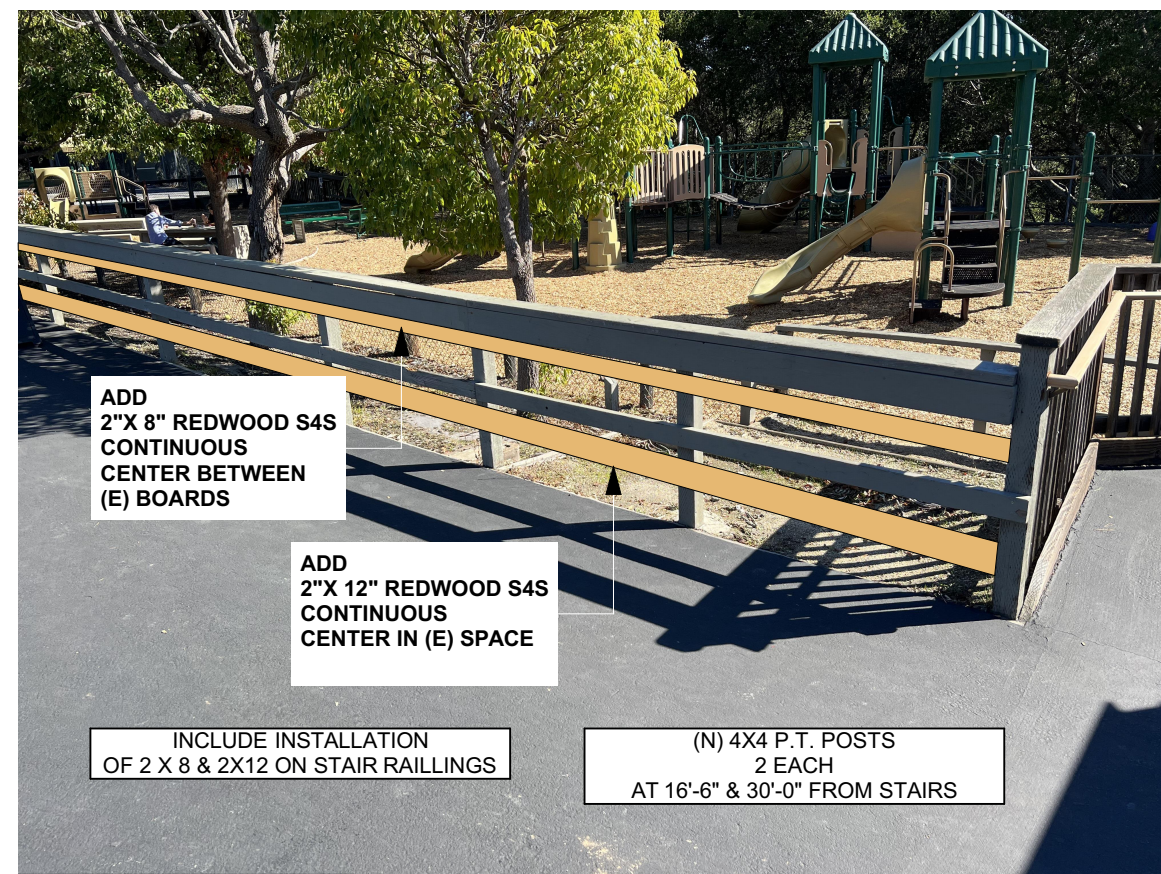


DETAIL #6



3D VISUAL



ACTUAL PHOTO WITH EDIT

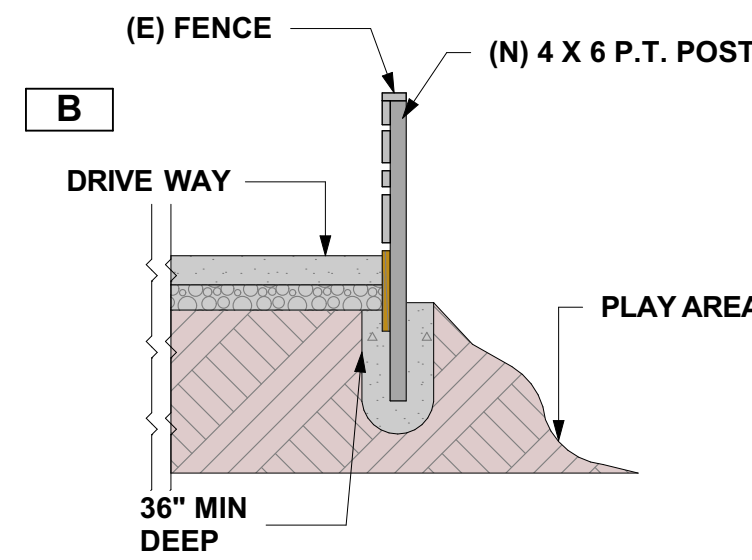
ADD 2" X 8" REDWOOD S4S CONTINUOUS CENTER BETWEEN (E) BOARDS

ADD 2" X 12" REDWOOD S4S CONTINUOUS CENTER IN (E) SPACE

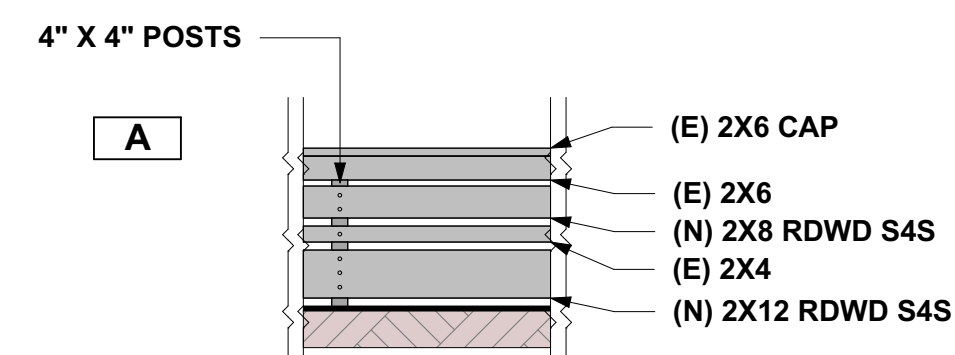
INCLUDE INSTALLATION OF 2 X 8 & 2X12 ON STAIR RAILINGS

(N) 4X4 P.T. POSTS 2 EACH AT 16'-6" & 30'-0" FROM STAIRS

B) HIGHLANDS PARK ADDITIONAL FENCE POSTS



LOCATE 16'-6" § 30'-0" FROM ENTRY STEPS VERIFY LOCATION PRIOR TO INSTALLATION

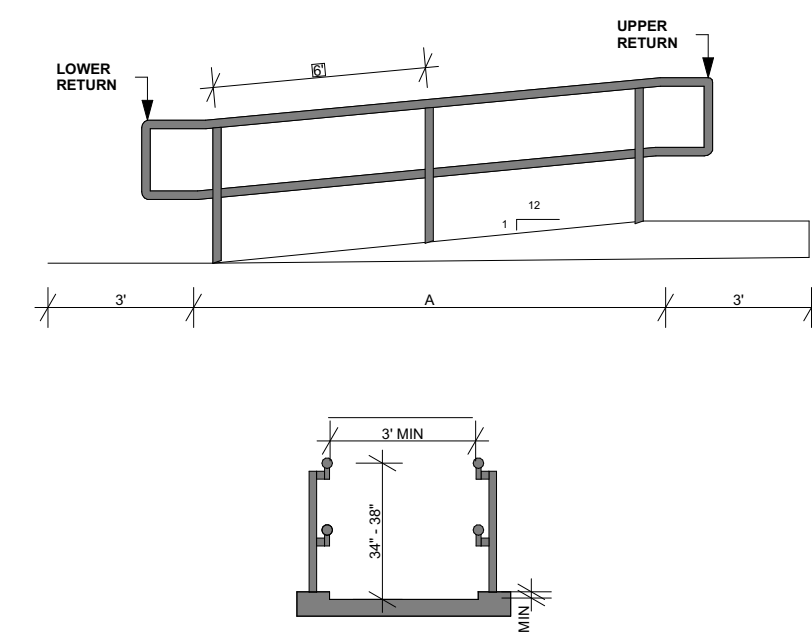


EST. 153 LF OF EACH REDWOOD BOARD SIZE ATTACH W/3.5" X #10 DECKMATE CREWS (HM DEPOT) PILOT DRILL ALL HOLES THRU REDWOOD

A) HIGHLANDS PARK FENCE BOARD ADDITIONS

SECTION AND FRONT ELEVATION

DETAIL #19

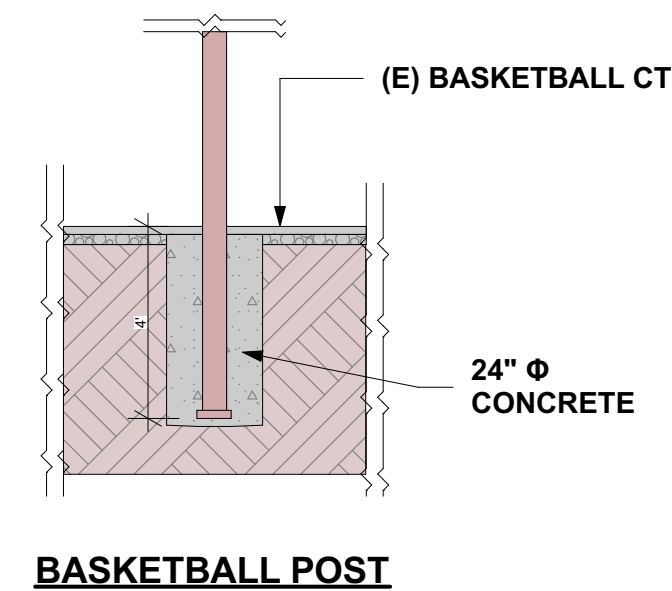


* #18 ADA RAMP TO PLAY AREA A. LENGTH T.B.D.

DETAIL #13

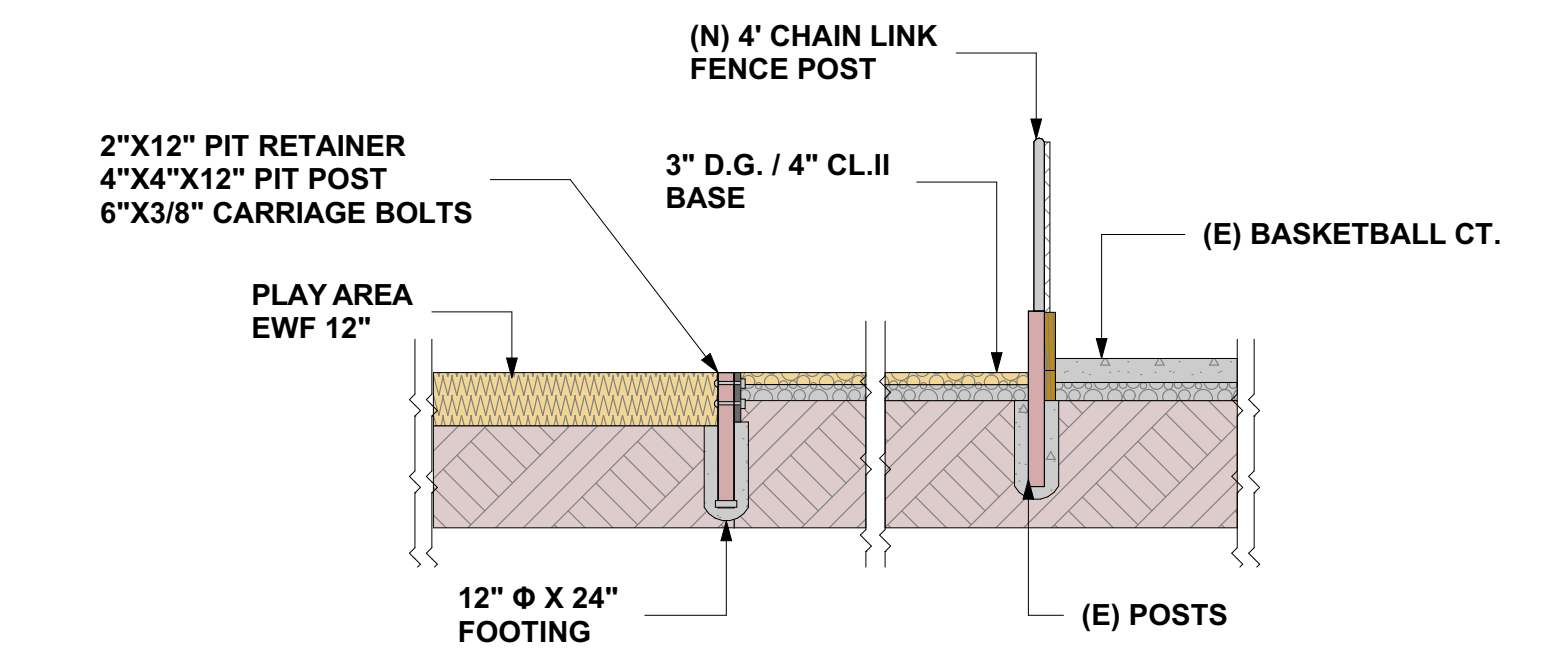


BISON ULTIMATE™ ADJUSTABLE STEEL SYSTEM



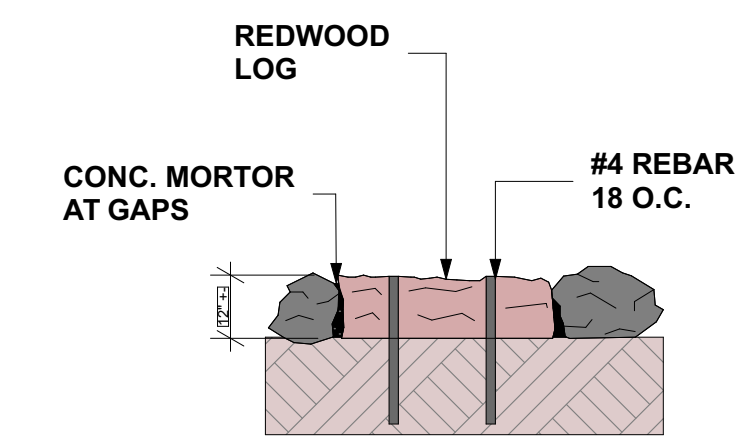
BASKETBALL POST

DETAIL #16



PICNIC AREA BID ITEM #16

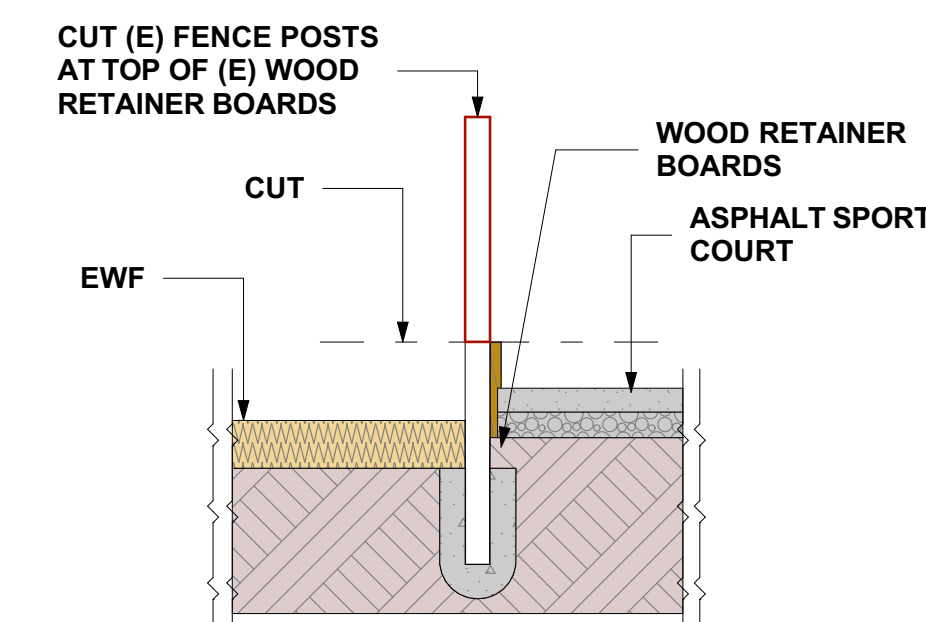
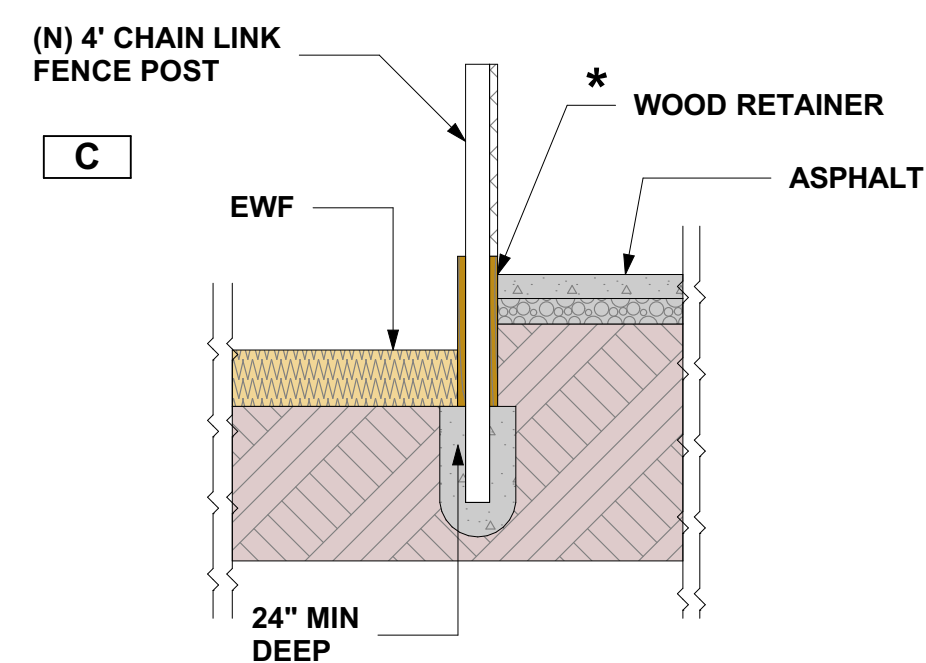
DETAIL #18



SAND PLAY AREA BID ITEM #18

DETAIL #8

(C) DETAIL



* INSTAL NEW CLF POST BETWEEN (E) WOOD POSTS

HIGHLANDS PARK CHAIN LINK FENCE



ACTUAL PHOTO

DEMO FENCE

CUT POSTS 6" ABOVE A/C SURFACE ON BASKETBALL CT. SIDE

BID ITEM - ADD ALT #8



DRINKING FOUNTAIN ELKAY MODEL NUMBER : LK4420EVG BID ITEM - ADD ALT #8

BID ITEM #16



JUG FILLER MODEL NUMBER : LK4420EVG BID ITEM #16

PLAY AREA DEVELOPMENT

6. Refurbish Fence Along Access Road
7. Relocate Shade Umbrella & Tot Swing
8. (N) Chain Link Fence 4' HT.
9. Relocate/ Repair 2-5 Play structure
10. Repair 5-12 Play Structure
11. Top Off EWF Wood Chips 25 CY
12. Arch Basket Swing and Solo Spinner

ATHLETIC COURTS

13. Furnish/Install Basketball Standard
14. Repair Cracks and Slurry Seal

PARK IMPROVEMENTS

15. Furnish/Install Picnic Area
16. Furnish/Install Jug filler Fountain
17. Provide/Install Sand Play Area
18. Furnish/Install Entry Ramp & Railings
19. Furnish/Install Curved Trex Benches (2)

ADD ALTERNATE ITEMS

- ADD ALT 1. Furnish/Install Basketball Court Lighting
 ADD ALT 2. Furnish/Install Rock Craft Ledge
 ADD ALT 3. Furnish/Install Gametime Vista Tree top 2
 ADD ALT 4. Furnish/Install Playcraft play Panels
 ADD ALT 5. Relocate Ball back Board
 ADD ALT 6. Re Grade sports court to mitigate slope
 ADD ALT 7. Color coat and Restripe Court
 ADD ALT 8. Furnish/Install STD Drinking Fountain in play area

DETAILS